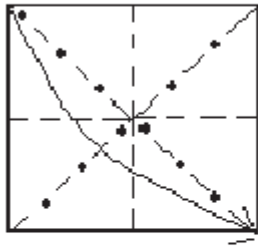
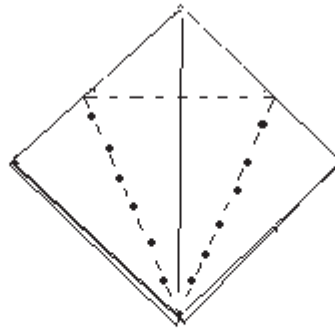


1.



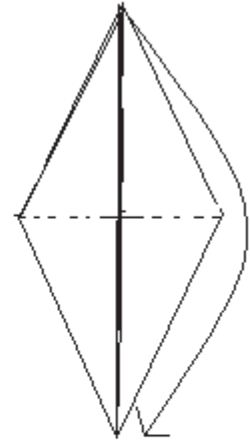
Preliminary fold

2.



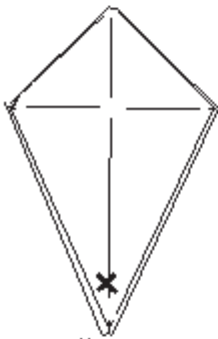
Petal fold
Repeat behind

3.



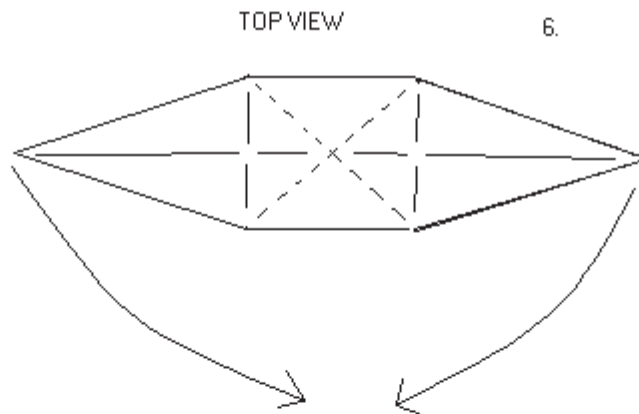
Valley fold the point back
down to form the bird base
Repeat behind

4.



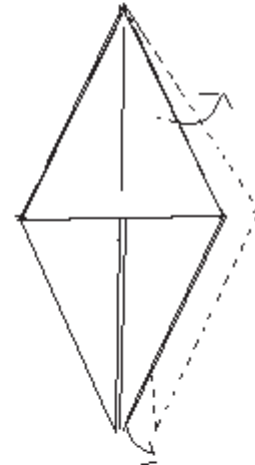
Hold the front flap by the "X"
and repeat behind.
Pull the flaps away from each
other stretching out the central
triangle. This forms what is
called the stretched bird base.

5.

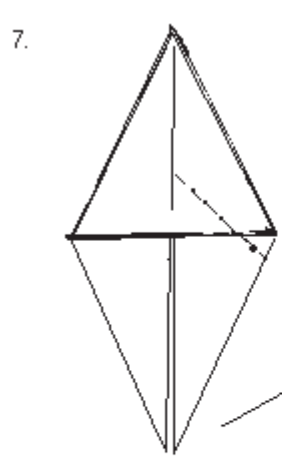


Reverse fold the 2 side points
down to reform a bird base
shape with different internal
layering

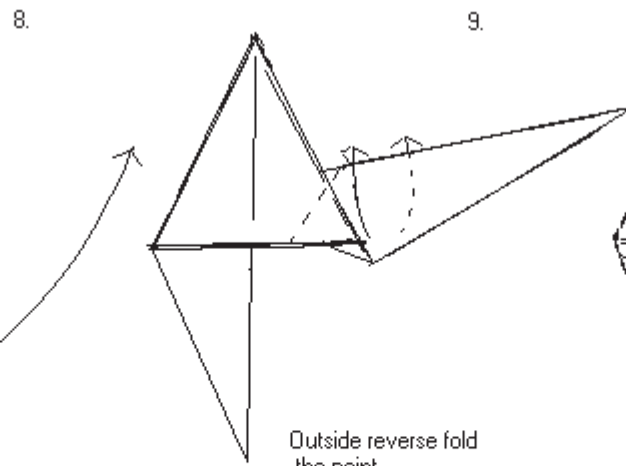
6.



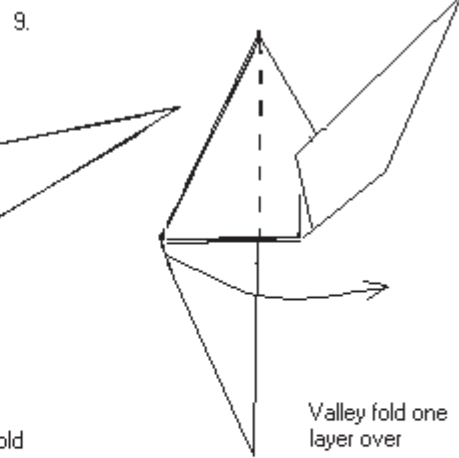
Stretch the paper out to fill in
the dotted lined area and widen
the triangle on top. This moves
the point on the right slightly
off center
Repeat behind
Skip this step if you
like.



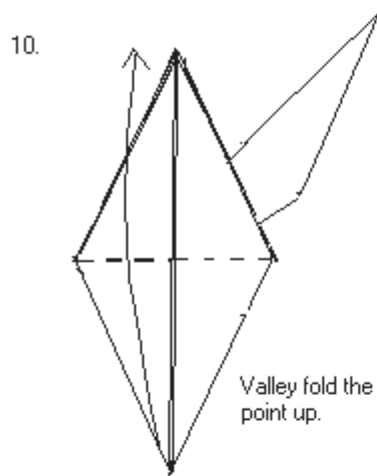
Reverse fold one point up.



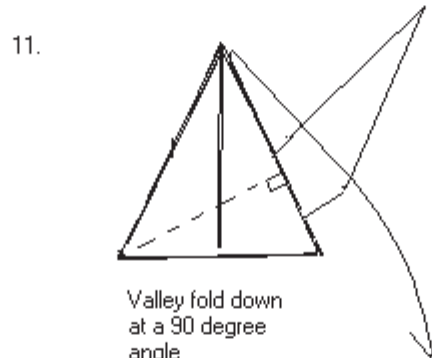
Outside reverse fold the point



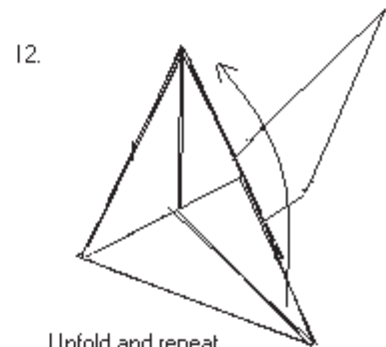
Valley fold one layer over



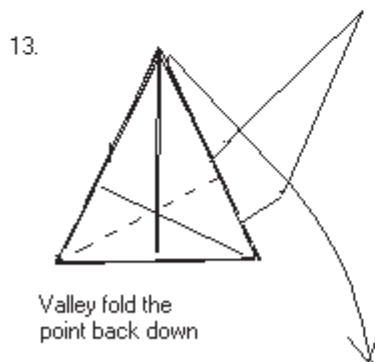
Valley fold the point up.



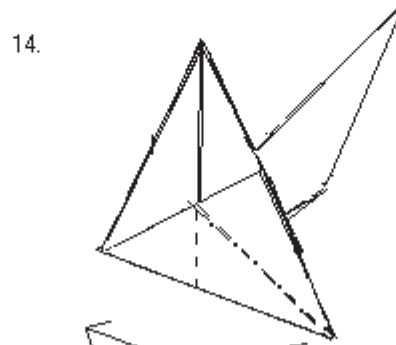
Valley fold down at a 90 degree angle



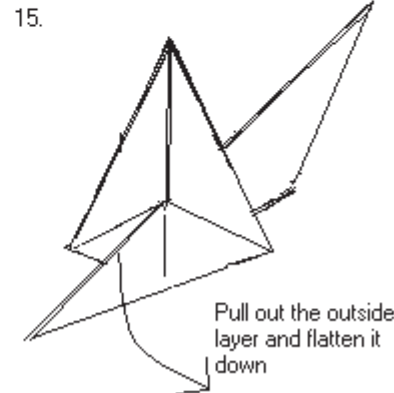
Unfold and repeat step 11 in the other direction



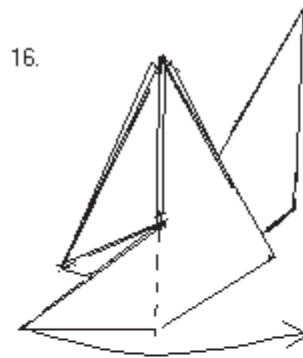
Valley fold the point back down



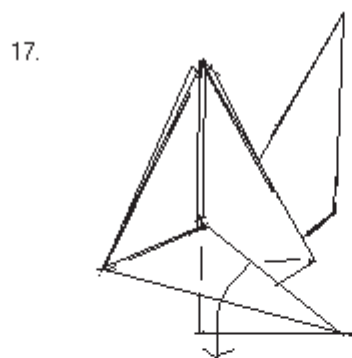
Swing the point over and squash down



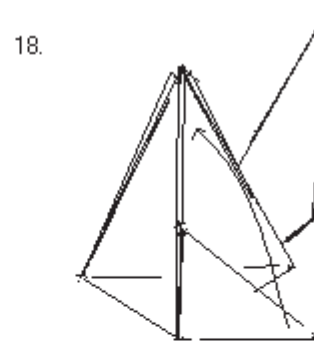
Pull out the outside layer and flatten it down



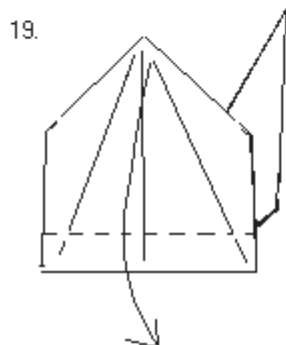
16. Valley fold the triangle over



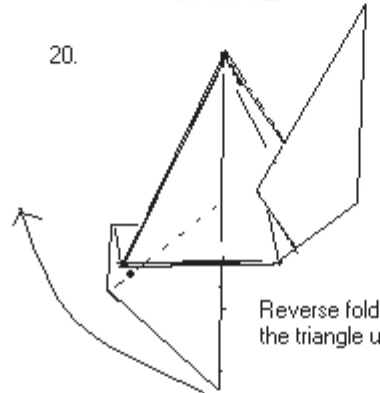
17. Pull out the paper on this side



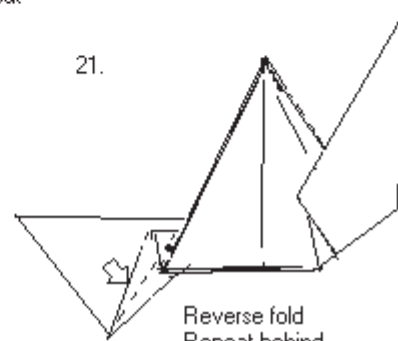
18. Fold the paper up while spreading it out



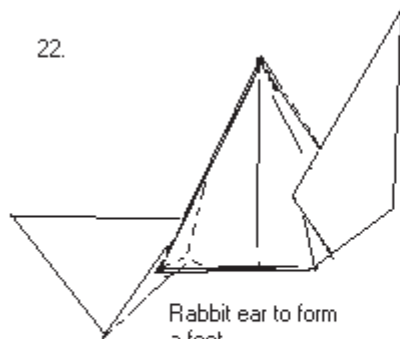
19. Valley fold the flap down



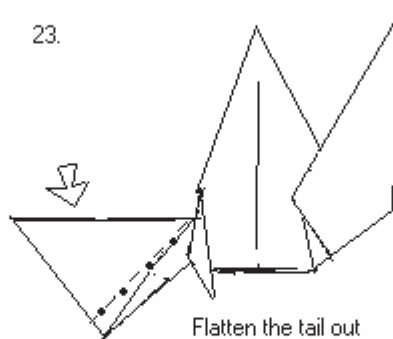
20. Reverse fold the triangle up



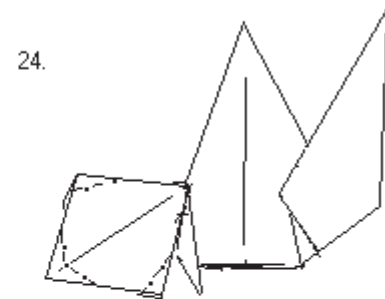
21. Reverse fold Repeat behind



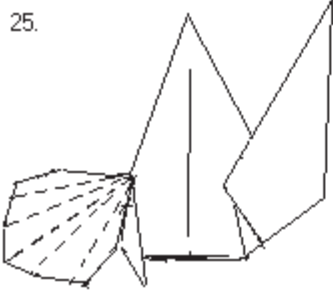
22. Rabbit ear to form a foot Repeat behind



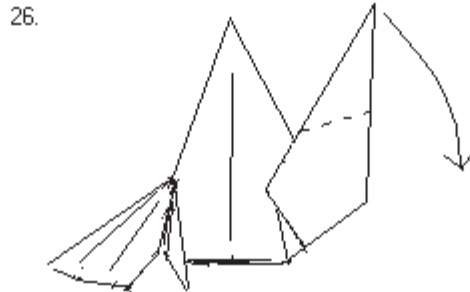
23. Flatten the tail out into a square shape



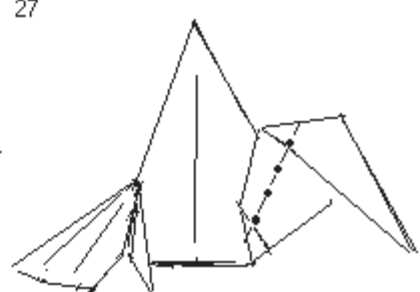
24. This is the tail turned to the side Round off the tail with mountain folds



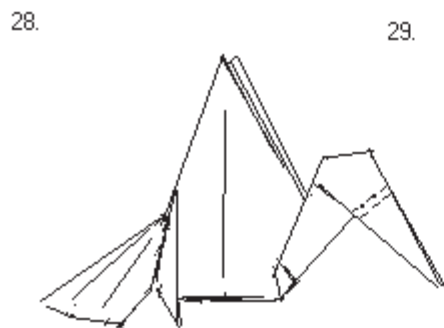
25. Make these folds and unfold to make fan-type creases. Curl the tail around



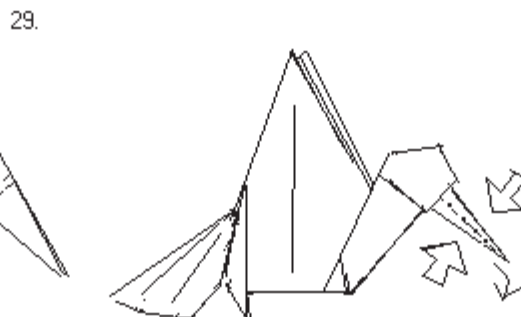
26. Outside reverse fold the head down



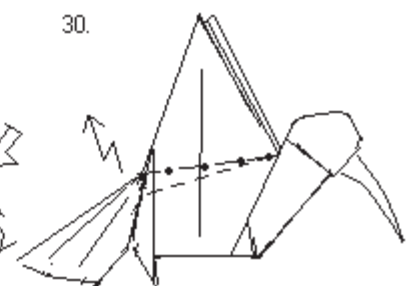
27. Mountain fold Repeat behind



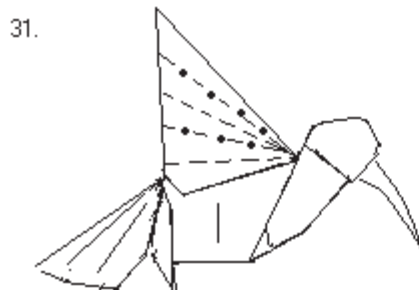
28. Crimp fold to form the beak



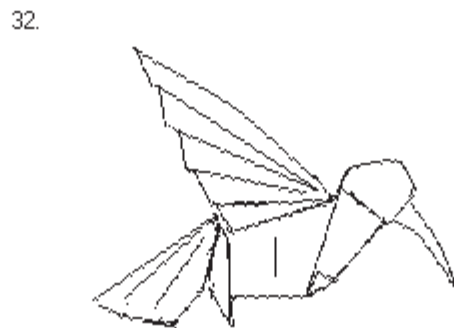
29. Pinch the beak and curve it



30. Pleat the wing repeat behind



31. Fold the wing like a fan and unfold Repeat behind



32.